



FRAMEWORKS

BROCHURE



FRAMEWORKS is a shelving system based on lattice constructions; extremely lightweight but stable structures which enable large spans with minimal use of materials.

The FRAMEWORKS system consists of thin oak slats connected by steel plates and rivets. The addition of glass shelves creates a storage function which reinforces the transparent, light-weight nature of the design.

FRAMEWORKS can be placed against a wall or free standing to partition parts of an open space. The more objects it holds, the better job it does of creating privacy barriers between one subsectioned room and another. The system allows customized solutions.

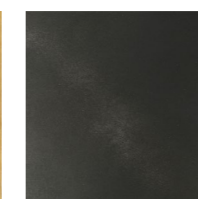
FRAMEWORKS is available with and without roof. The dimensions of FRAMEWORKS are almost unlimited, from one to more than one hundred sections. FRAMEWORKS is made to order with a maximum lead time of four weeks.

MATERIALS & COLOURS

FRAMEWORKS is crafted from premium quality solid oak with a Danish oil finish. The 1.5 mm steel plates have a black passivated finish. The glass shelves are made of 4 mm transparent float glass (untempered) with chamfered and polished edges. Other materials on request.



OAK



BLACKENED
STEEL



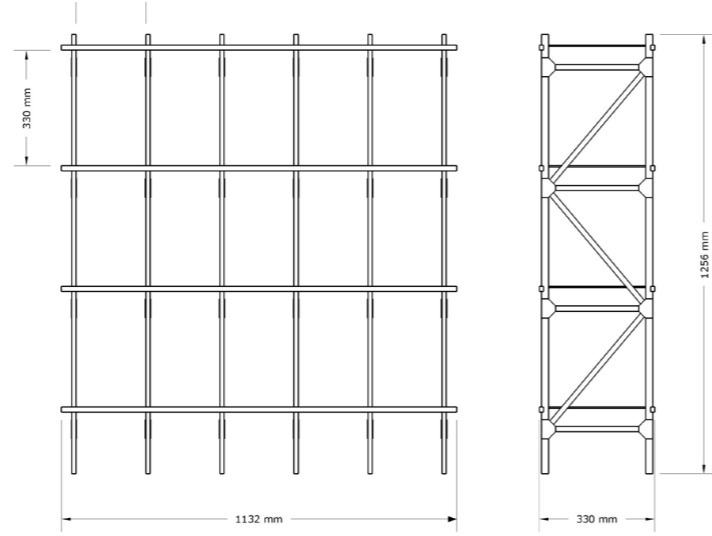
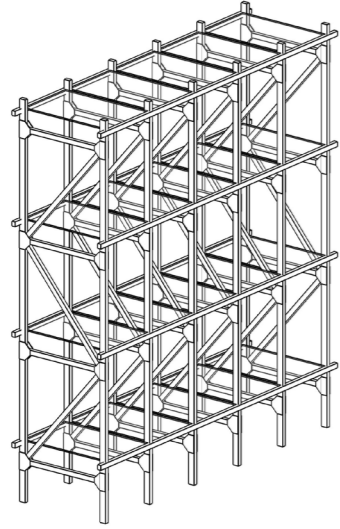
FLOAT GLASS

ASSEMBLY & PACKAGING

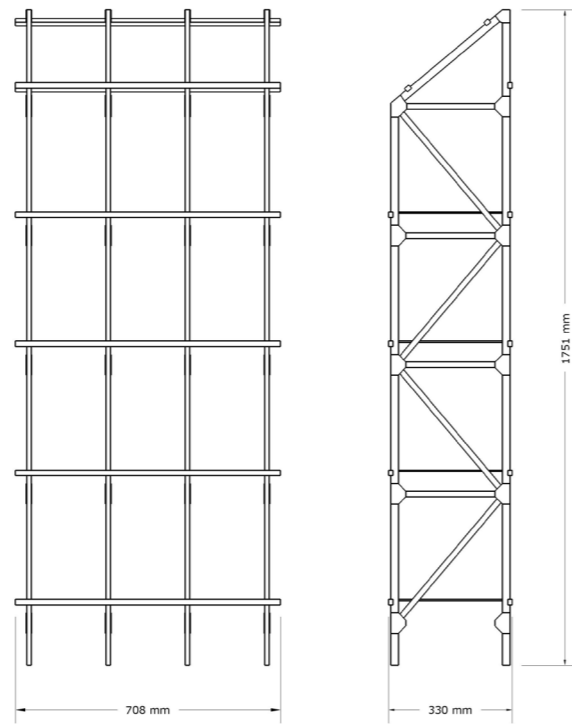
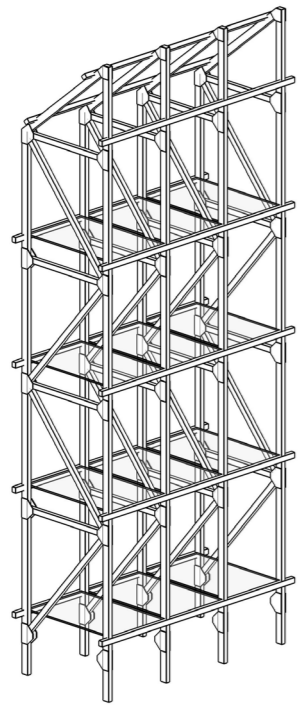
FRAMEWORKS is a flat pack product and can be easily assembled with a hex key (included). Assembly instructions are available online: <https://vimeo.com/78452765>
Standard packaging woodwork: bubble foam, other packaging options upon request.
Standard packaging glass shelves: shipping crate.

Shipping rates on request.





EXAMPLE FRAMEWORKS SHELF WITHOUT ROOF: FW 35



EXAMPLE FRAMEWORKS SHELF WITH ROOF: FW 43R



FW23



FW33



FW24



FW45



FW510RUS



FW35



FW219

Photo by Mathilde Karrèr



STUDIO
MIEKE
MEIJER

CONTACT:

T: +31(0)611254354
info@miekemeijer.nl
www.miekemeijer.nl